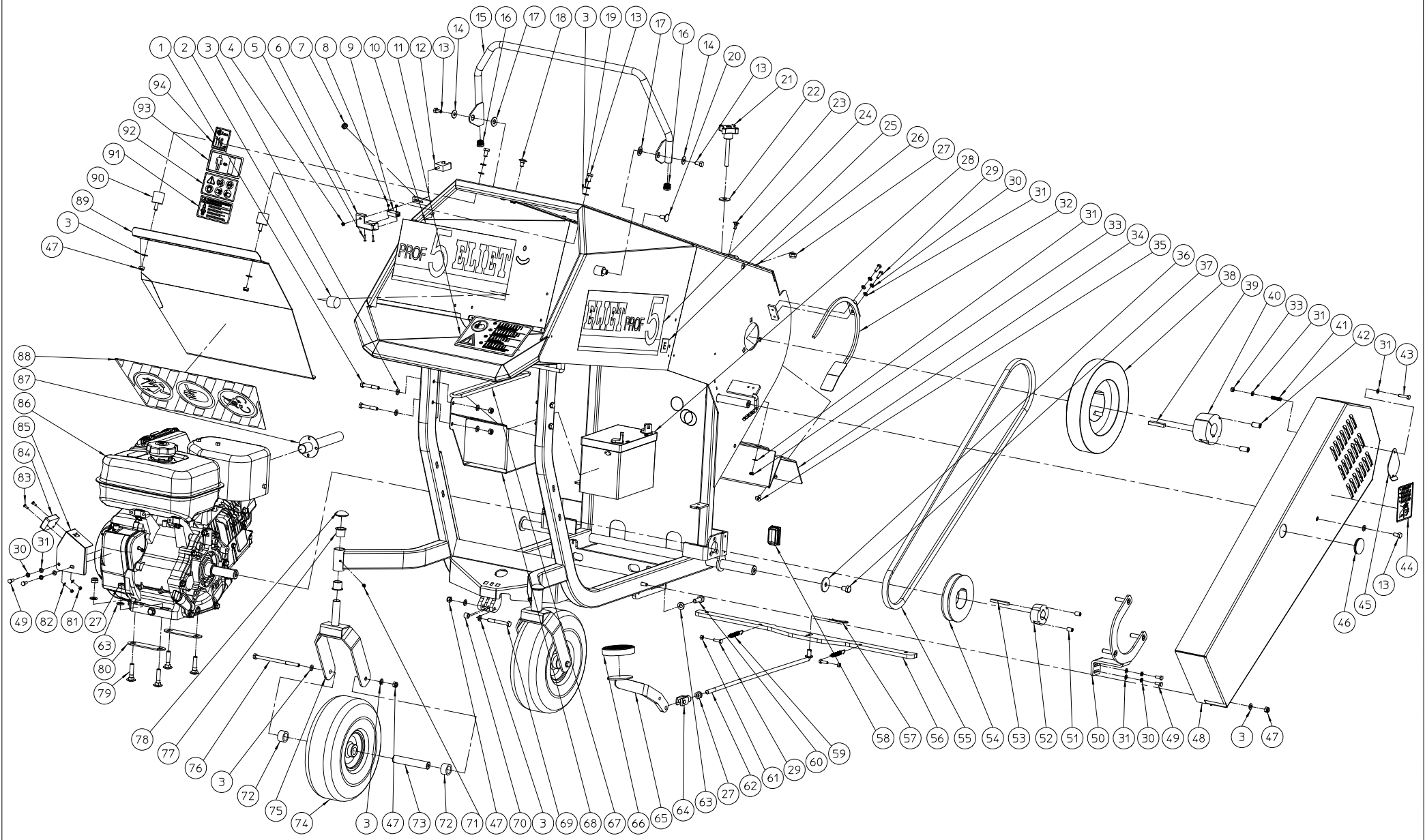


ELIET PROF 5 - GENERAL					
NO	MMA 01 051 100	REV	3	DATE	2014/01/24

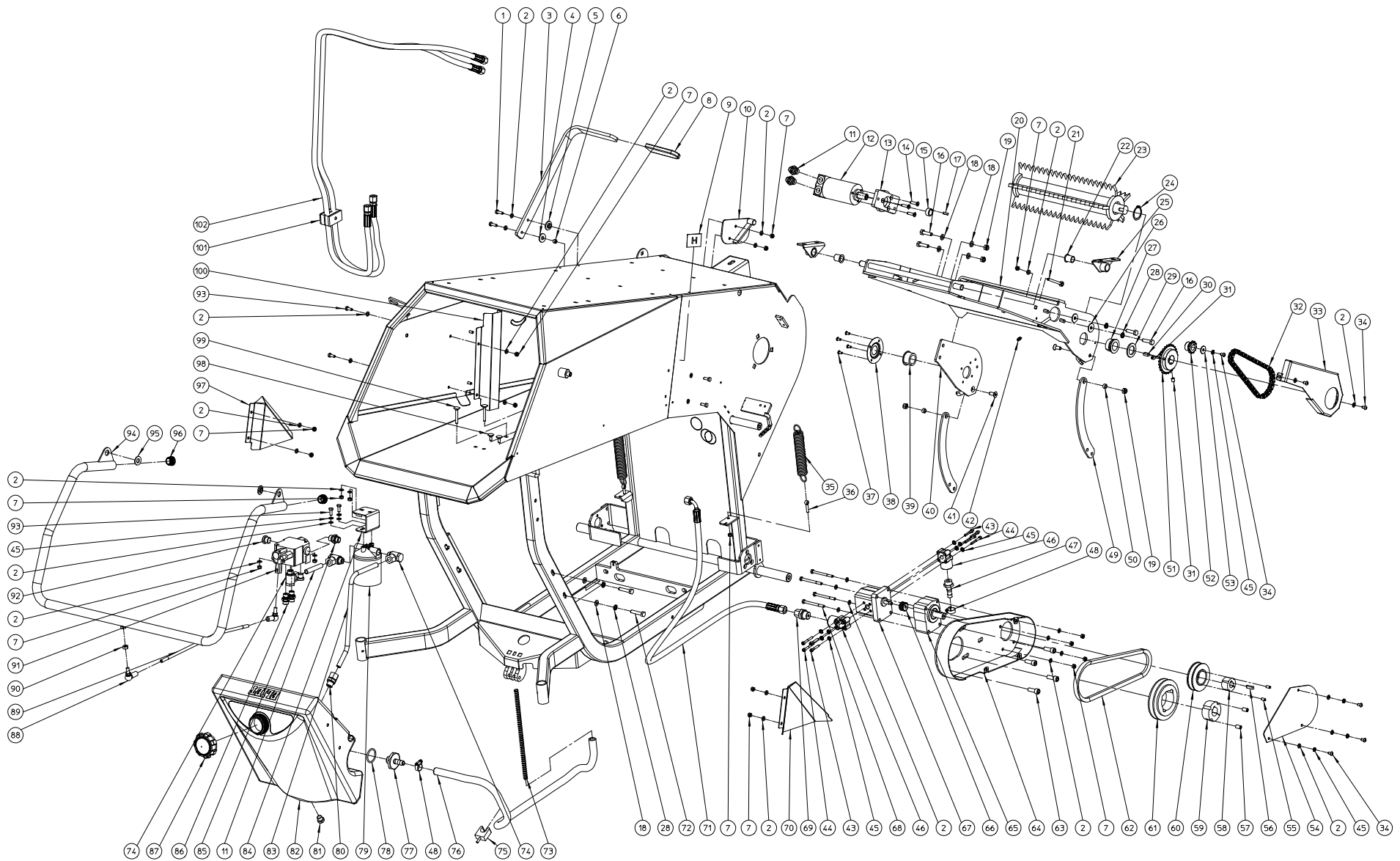
#	Order nr	article description	quantity
110	MMA 01 051 110	standard	1
120	MMA 01 051 120	hydro kit infeedroller	1
130	MMA 01 051 130	wheel transmission	1
140	MMA 01 051 140	trlo	1
160	MMA 01 051 160	calibration grating	1
170	MMA 01 051 170	flow rate regulation	1
190	MMA 01 051 190	abm hydro	1



ELIET PROF V -- STANDARD					
NO	MMA 01 051 110	REV	2	DATE	2014/01/24

#	Order nr	article description	quantity
1	BS 511 000 842	bolt m8x50 din 931	1
2	BR 600 230 250	antivibration blocks 25x25b m6x14	5
3	BS 531 000 800	washer m8 din 125	1
4	BS 501 000 500	nut m5 din 934	30
5	BS 522 500 316	screw m3x16 iso 7380	1
6	MPA 01 010 200	cover for safety switch	2
7	BR 000 208 030	rubber grommets 8/3	1
8	BS 502 000 300	self locking nut m3 din 985	2
9	BE 120 010 503	safety switch	2
10	BQ 501 050 110	sticker 550x170 left	1
11	BQ 505 010 110	safety sticker 190x125 (in feed)	1
12	BT 654 001 901	clam 19mm	1
13	BS 512 000 816	bolt m8x16 din 933	1
14	BS 532 008 223	washer m8x22x1.5	5
15	MPA 01 051 065	safety bracket	2
16	BR 020 501 190	round tube plug gl19	1
17	BR 112 120 410	nylon bushing with collar (12/15/25x4/2)	2
18	BS 554 100 816	bolt m8x16 din 603	2
19	BS 534 000 800	lock washer m8 din 6798a	4
20	BS 554 100 820	bolt m8x20 din 603	2
21	BN 630 510 480	lob knob Ø60mm - m10x80	4
22	BS 532 010 305	washer m10x30x2.5	1
23	BS 554 100 616	bolt m6x16 din 603	1
24	BQ 501 050 120	sticker 550x170 right	4
25	BQ 501 050 150	sticker electric start 40 x 45	1
26	MPA 01 051 050	frame	2
27	BS 502 001 000	self locking nut m10 din 985	1
28	BE 240 120 300	battery 12v 30ah	6
29	BS 512 000 620	bolt m6x20 din 933	1
30	BS 534 000 600	lock washer m6 din 6798a	4
31	BS 531 000 600	washer m6 din 125	6
32	MPA 01 051 150	belt catcher rotor	12
33	BS 502 000 600	self locking nut m6 din 985	1
34	MPA 01 051 530	deflector rotor	5
35	BS 522 100 812	screw m8x12 din 7991	1
36	BS 532 010 406	washer m10x40x3	2
37	BS 512 001 016	bolt m10x16 din 933	2
38	BA 566 717 010	pulley with flywheel spb 170 tl 2517	2
39	BB 341 100 850	key 10x8x50 din 6880	1
40	BB 501 163 500	taper lock tl 2517-35	1
41	BV 904 000 010	compression spring Ø8.5x30mm fil Ø1mm	1
42	BB 501 313 250	set screw 1/2"x1"	1
43	BS 512 000 630	bolt m6x30 din 933	2
44	BQ 505 010 130	safety sticker 100x80 (belt transmission)	1
45	MPA 01 041 610	flap major 4s pto	1
46	BR 500 103 800	rubber plug 42x38x1.6	1
47	BS 502 000 800	self locking nut m8 din 985	1
48	MPA 01 051 125	belt protection	19
49	BS 512 000 616	bolt m6x16 din 933	1
50	MPA 01 051 145	belt catcher engine	4
51	BB 501 310 160	set screw 3/8"x5/8"	1
52	BB 501 231 600	taper lock tl 1610-1"	2

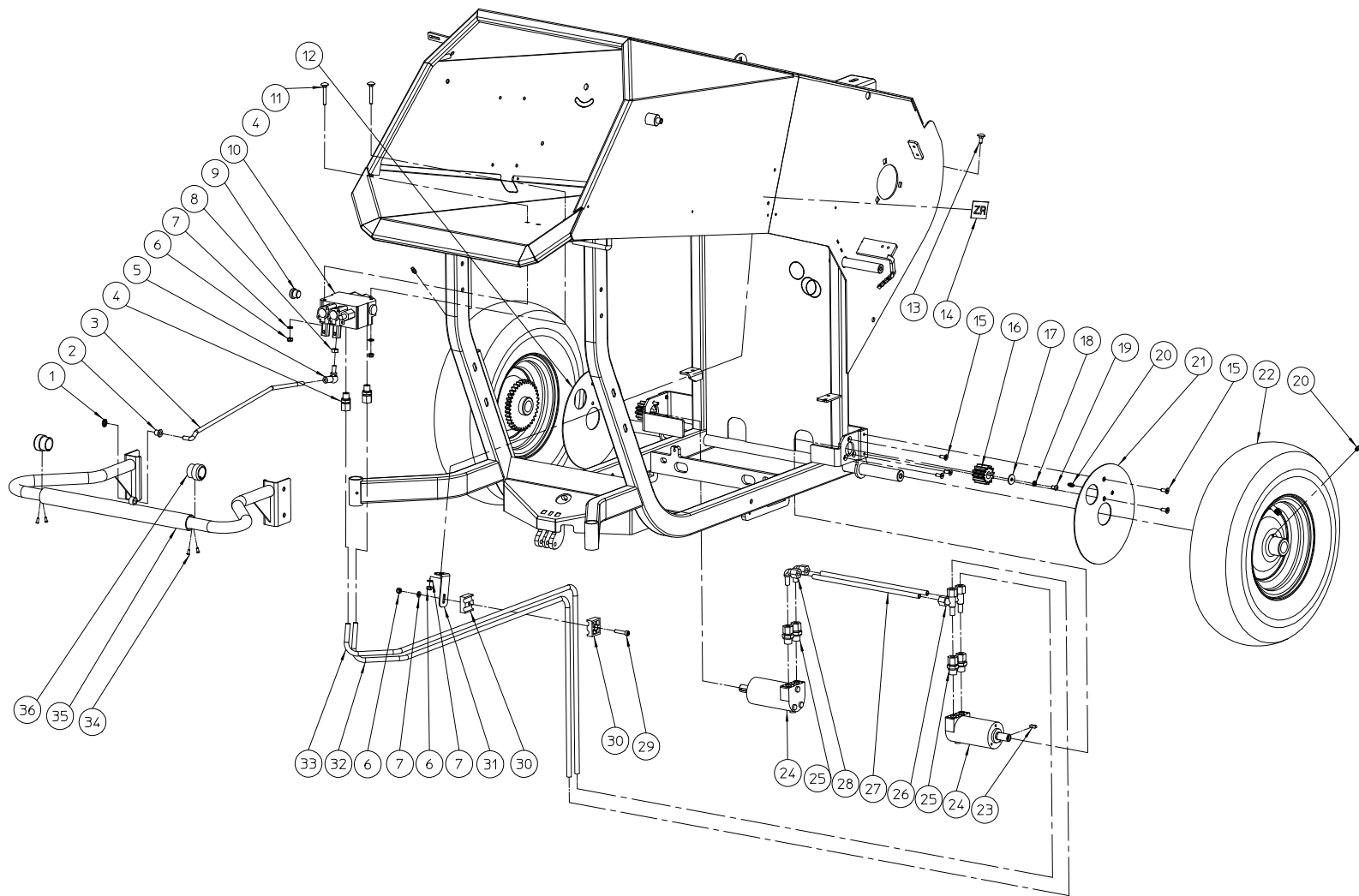
53	BB 342 060 657	key 6.35x6.35x57 din 6880	1
54	BA 563 712 501	pulley spb 125 for taper lock tl1610	1
55	BA 527 619 563	belt 5l 770	1
56	MPA 01 051 200	brakerail	1
57	BB 040 102 040	hairpin cotter 2mm din 11024	1
58	BR 021 150 300	cap 50x30	1
59	BV 912 000 030	spring	2
60	BS 512 001 030	bolt m10x30 din 933	2
61	BS 501 000 600	nut m6 din 934	4
62	MPA 01 051 075	brake rod	2
63	BS 531 001 000	washer m10 din 125	1
64	BS 556 001 000	fork m10x20 din 71752	8
65	MPA 01 051 160	brake pedal	1
66	BR 900 000 110	rubber socks dia 90x18mm	1
67	BY 725 024 008	rubber battery fastener	1
68	MPA 01 051 525	batterysupport	1
69	BS 511 000 845	bolt m8x65 din 931	1
70	MPA 01 051 140	spacer	1
71	BY 100 106 100	grease fitting m6 din 71412	1
72	MPA 01 340 380	spacer wheelshaft	2
73	MPA 01 051 175	wheel shaft caster wheel	4
74	BW 029 020 001	wheel 4.00-4 prof 5	2
75	MPA 01 051 135	fork caster wheel	2
76	BS 511 000 854	bolt m8x140 din 931	2
77	BR 112 202 100	nylon bushing with collar (20/24/29x21/1)	2
78	BB 011 000 200	starlock 20mm	4
79	BS 554 101 041	bolt m10x45 din603	2
80	MPA 01 051 180	engine fleet	4
81	BS 502 000 400	self locking nut m4 din 985	2
82	BS 531 000 400	washer m4 din 125	2
83	BS 541 000 410	screw m4x10 din 84	1
84	BE 412 410 001	maintenance meter	2
85	MPA 01 051 350	support counter subaru	1
86	BM 204 114 000	engine subaru ex 42	2
87	MPA 01 051 510	outlet pipe subaru	1
88	BQ 505 010 100	safety sticker 465x200 (shield)	1
89	MPA 01 051 090	protection	1
90	BR 600 130 301	antivibration blocks 30x30b m8x16	1
91	BQ 505 010 040	safety sticker 60x100 (spark plug)	2
92	BQ 505 010 050	safety sticker 60x100 (pictogram)	1
93	BQ 505 010 150	safety sticker 60x100 (distance)	1
94	BQ 505 112 116	sticker sound level 116 db	1



#	Order nr	article description	quantity
1	BS 512 000 620	bolt m6x20 din 933	2
2	BS 531 000 600	washer m6 din 125	40
3	MPA 01 051 285	lift handle pinch roll	1
4	BR 111 100 200	nylon bushing (10.5/21x2.5)	1
5	BR 112 100 600	nylon bushing with collar (10/13.5/25x6/2.5)	1
6	MPA 01 050 310	bushing	1
7	BS 502 000 600	self locking nut m6 din 985	21
8	BN 230 101 209	rubber plate	1
9	BQ 501 050 140	sticker hydro 40 x 45	2
10	MPA 01 051 235	hinge lift handle	1
11	BH 509 251 006	male stud coupling 10lx3/8" bo	2
12	BH 331 205 010	hydraulic engine epmm 50cc	1
13	MPA 01 051 265	support hydraulic engine	1
14	BS 522 100 625	screw m6x25 din 7991	3
15	MPA 01 070 430	spacer ring	1
16	BS 512 000 830	bolt m8x30 din 933	4
17	BB 341 050 516	key 5x5x16 din 6880	1
18	BS 531 000 800	washer m8 din 125	8
19	BS 502 000 800	self locking nut m8 din 985	4
20	MPA 01 051 215	hinged plate pinch roll	1
21	BS 551 100 646	eye bolt m6x70 din 444	1
22	BR 112 152 100	nylon bushing with collar (15.4/18/23x21/1)	2
23	MPA 01 051 225	pinch roll	1
24	BB 001 000 320	retaining ring 32 din 471	1
25	MPA 01 050 270	hinge hydraulic kit	2
26	BS 532 008 254	washer m8x25x2	2
27	BR 112 262 112	nylon bushing with collar (26/35.5/40x21/2)	1
28	BS 534 000 800	lock washer m8 din 6798a	6
29	MPA 01 050 220	spacer ring	1
30	BB 341 080 715	key 8x7x15 din 6880	1
31	BS 023 000 810	set screw m8x10 din 916	2
32	BA 101 056 010	chain simplex 3/8"x7/32" 56l	1
33	MPA 01 051 300	chain protection	1
34	BS 522 500 610	screw m6x10 iso 7380	6
35	BV 919 000 010	spring	2
36	BS 551 000 630	eye bolt m6x30 din 444	2
37	BB 221 105 100	pop plug alu 4.8x10 din 7337 a	4
38	MPA 01 050 240	protection plate for nylon bearing	1
39	BR 112 262 111	nylon bushing with collar (26/35.5/40x21/2)	1
40	MPA 01 051 240	sideplate	1
41	BS 522 100 820	screw m8x20 din 7991	2
42	BY 100 106 100	grease fitting m6 din 71412	1
43	BS 521 100 530	screw m5x30 din 912	4
44	BS 521 100 540	screw m5x40 din 912	4
45	BS 534 000 600	lock washer m6 din 6798a	14
46	BH 281 001 201	pump coupling	2
47	BT 136 260 813	hose insert 1/2"x13mm	1
48	BT 670 113 200	hose clamp 13x20mm	2
49	MPA 01 051 260	lath	2
50	MPA 01 051 551	spacer	2
51	BA 161 027 000	sprocket simplex 3/8"x7/32" 27t	1
52	BA 161 011 162	sprocket simplex 3/8"x7/32" 11t	1

53	BS 532 006 224	washer m6x22x2	1
54	MPA 01 050 690	closure plate	1
55	BB 501 306 130	set screw 1/4"x1/2"	2
56	BB 351 060 625	key 6x6x25 din 6885a	1
57	BB 501 310 160	set screw 3/8"x5/8"	2
58	BB 501 111 800	taper lock tl 1108-18	1
59	BB 501 231 600	taper lock tl 1610-1"	1
60	BA 562 707 501	pulley spa 75 tl1108	1
61	BA 562 711 201	pulley spa 112 tl1610	1
62	BA 521 208 000	belt xpa 800	1
63	BS 521 441 025	screw unf 3/8x1" din 912	4
64	MPA 01 050 680	fixing plate pump	1
65	BH 281 101 180	pump support	1
66	BH 281 201 011	gear wheel z14 25x22 din5482 gr 2/1	1
67	BH 210 402 500	hydraulic pump 1p s2.5 1.6cc	1
68	BS 511 000 646	bolt m6x70 din 931	4
69	BH 509 211 008	male stud coupling 10lx1/2"	1
70	MPA 01 051 295	right protection	1
71	BH 551 051 551	flexible hydraulic hose 5/16"x1550	1
72	BS 512 000 840	bolt m8x40 din 933	4
73	BV 905 000 010	spring 12 x 2 x 281.5	1
74	BH 513 111 206	banjo 12lx3/8"	3
75	BT 654 001 901	clam 19mm	1
76	BR 200 213 095	hydraulic pipe 13x19x950mm	1
77	MPA 01 051 575	end piece	1
78	BH 812 345 350	o-ring 34,52 x 3,53 mm viton	1
79	BH 280 306 060	filter 3/8 bsp	1
80	BH 509 211 206	male stud coupling 12lx3/8"	1
81	BH 518 500 600	blanking plug 3/8"	2
82	BY 717 212 014	plastic tank zwart	1
83	MPA 01 051 520	returnpipe	1
84	MPA 01 051 255	fixation filter	1
85	BH 509 251 004	male stud coupling 10lx1/4" bo	3
86	MPA 01 051 320	returnpipe	1
87	BH 720 505 585	cap for tank	1
88	BA 230 010 800	ball joint m8	2
89	MPA 01 051 250	control rod valve	1
90	BS 501 000 800	nut m8 din 934	1
91	BH 400 001 000	hydraulic valve bm 20/1 1/4" a1	1
92	BH 518 500 600	blanking plug 3/8"	1
93	BS 512 000 616	bolt m6x16 din 933	10
94	MPA 01 051 205	handle pinch roll	1
95	BR 112 120 410	nylon bushing with collar (12/15/25x4/2)	2
96	BR 020 501 250	tube cap Ø 25mm	2
97	MPA 01 051 290	left protection	1
98	BS 554 100 616	bolt m6x16 din 603	2
99	BS 554 100 641	bolt m6x45 din 603	2
100	MPA 01 051 245	protectionplate hydraulic lines	1
101	BH 711 420 010	pipe clamp b-14mm ass.	1
102	BH 551 051 680	flexible hydraulic hose 5/16"x1680	2





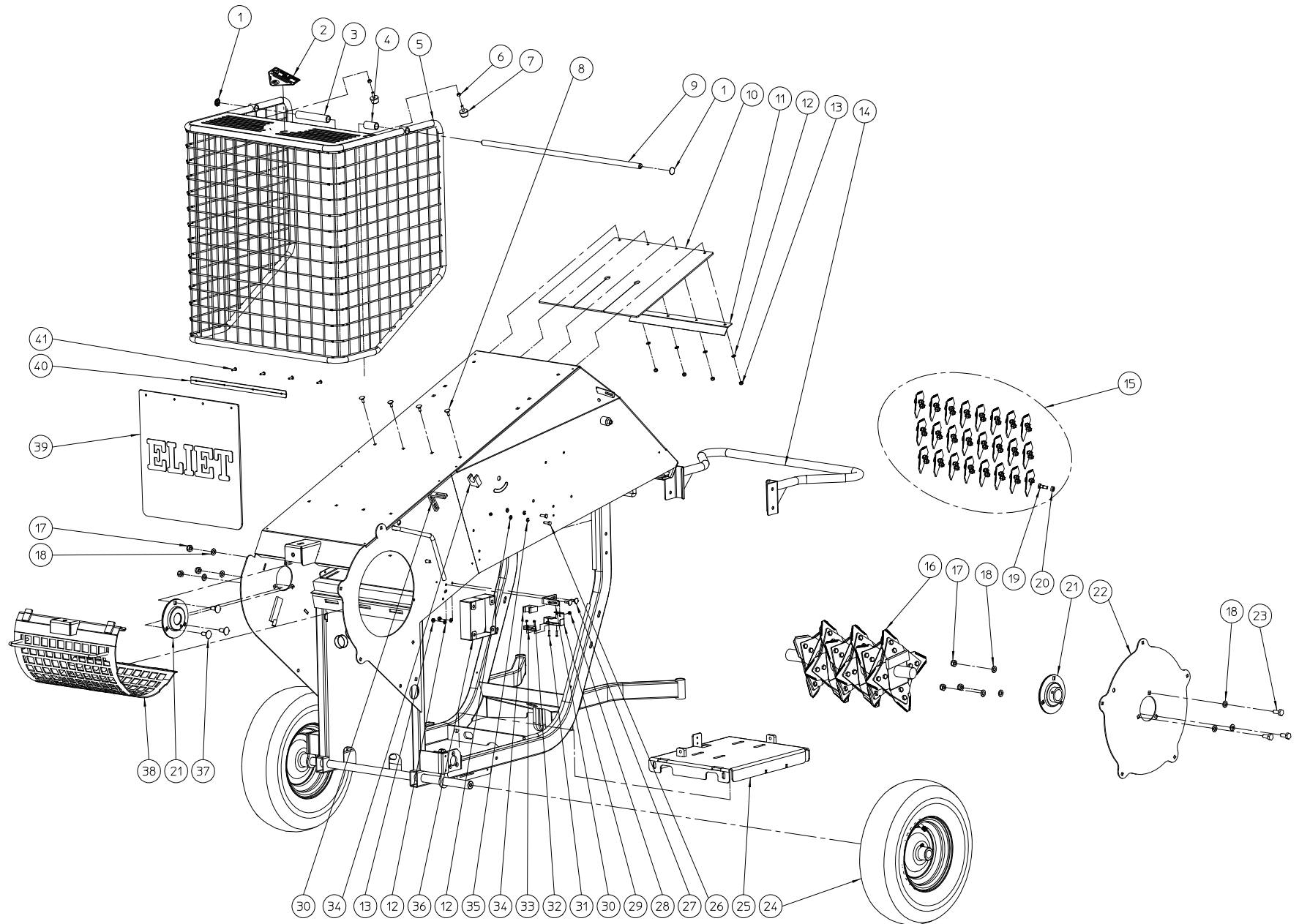
ELIET PROF V -- WHEEL TRANSMISSION					
NO	MMA 01 051 130	REV	2	DATE	2014/01/24

#	Order nr	article description	quantity
1	BB 011 000 080	starlock 8mm	1
2	BR 112 081 300	nylon bushing with collar (8/11/16x13/2)	1
3	MPA 01 051 330	control rod traction	1
4	BH 509 211 004	male stud coupling 10lx1/4"	1
5	BA 230 010 800	ball joint m8	1
6	BS 502 000 600	self locking nut m6 din 985	1
7	BS 531 000 600	washer m6 din 125	1
8	BS 501 000 800	nut m8 din 934	1
9	BH 400 005 000	hydraulic valve bm 20/2 1/4" a1 a8	1
10	MPA 01 050 455	protection wheel drive	1
11	BS 554 100 641	bolt m6x45 din 603	1
12	BS 554 100 616	bolt m6x16 din 603	1
13	BQ 501 050 160	sticker zr 40 x 46	1
14	BS 522 100 616	screw m6x16 din 7991	1
15	BA 603 001 201	gear m3 12t	1
16	BS 532 006 224	washer m6x22x2	1
17	BS 534 000 600	lock washer m6 din 6798a	1
18	BS 522 500 610	screw m6x10 iso 7380	1
19	BY 100 106 100	grease fitting m6 din 71412	1
20	MPA 01 050 450	guard for wheel transmission	1
21	BW 045 025 040	rubber wheel complete + gear wheel	1
22	BB 341 050 516	key 5x5x16 din 6880	1
23	BH 331 203 210	hydraulic engine epmm 32cc	1
24	BH 509 211 006	male stud coupling 10lx3/8"	1
25	BH 512 111 000	rotary l-fitting female 10l	1
26	MPA 01 051 335	tractionpipe	1
27	BH 511 911 000	angular rotary fitting 10l	1
28	BS 521 100 630	screw m6x30 din 912	1
29	BH 711 020 110	pipe clamp rbpr-110	1
30	MPA 01 051 325	support fixation	1
31	MPA 01 051 315	tractiontube 2	1
32	MPA 01 051 310	tractiontube 1	1
33	MPA 01 052 820		1
34	BB 221 104 100	pop plug alu 3.9x10 din 7337 a	1
35	MPA 01 052 830		1
36	BR 910 000 010	nylon bushing with collar (25/30/34x30/15)	1
37	MPA 01 052 810		1

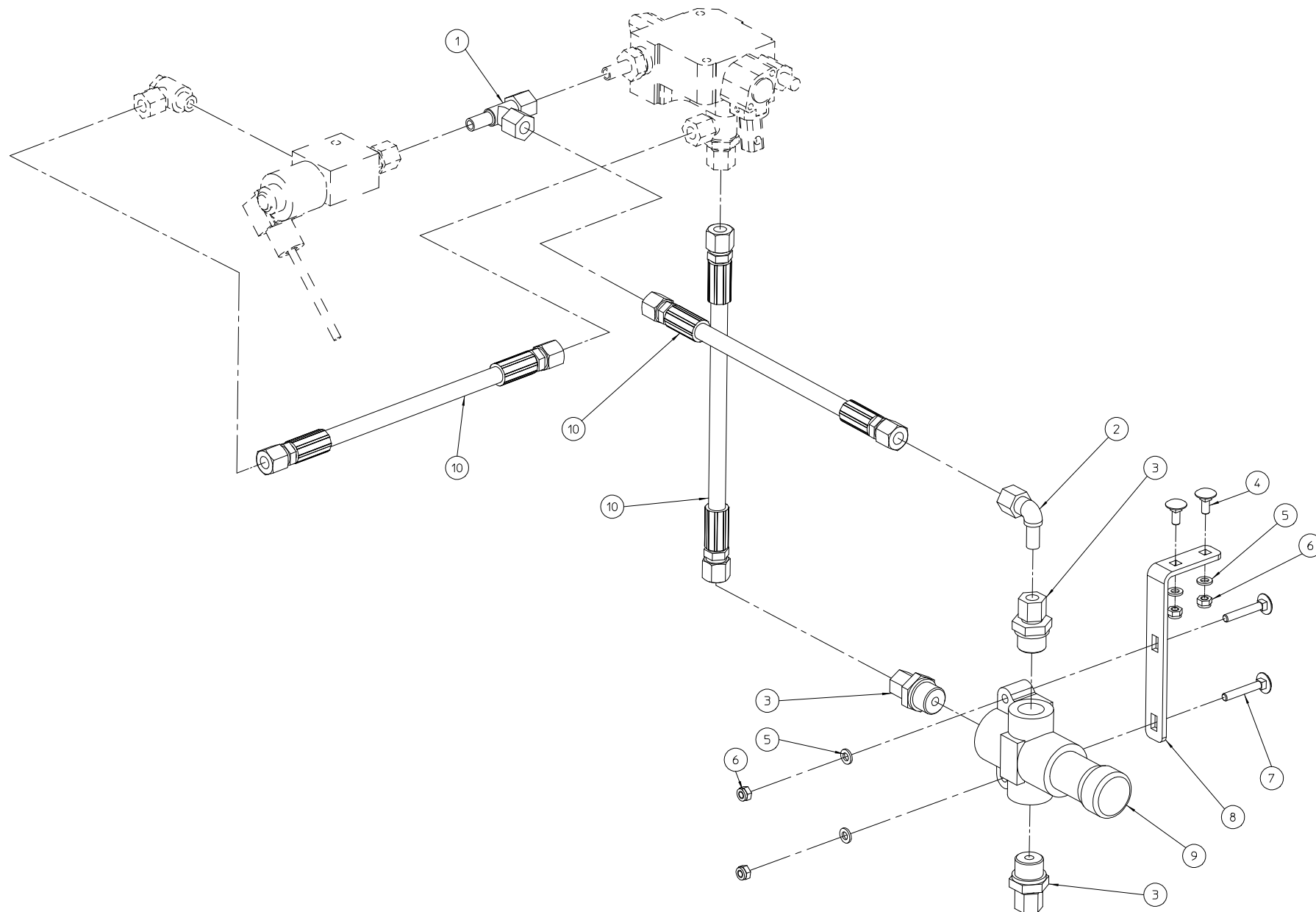


#	Order nr	article description	quantity
1	MPA 01 051 470	brake strap	1
2	MPA 01 051 195	spacer wrap tie	1
3	BS 512 001 025	bolt m10x25 din 933	3
4	BS 531 001 000	washer m10 din 125	11
5	BL 801 503 502	kit bearing aspf 207 complete	1
6	BS 502 001 000	self locking nut m10 din 985	8
7	BB 341 100 875	key 10x8x75 din 6880	1
8	MPA 01 052 040	disc ring	1
9	BQ 501 050 170	sticker blower 40 x 47	2
10	MPA 01 051 450	rotor option	1
11	MPA 01 051 440	propeller	1
12	BS 554 101 020	bolt m10x20 din603	5
13	BL 801 503 001	kit bearing aspf 206 complete	1
14	BR 500 101 600	rubber plug 16.0 x 0.8 - 2.0 mm	2
15	BS 511 081 040	vis 3/8"unf x1"1/2 left	1
16	BS 502 000 800	self locking nut m8 din 985	2
17	BV 911 000 010	spring 14x2x16	2
18	BS 531 000 800	washer m8 din 125	3
19	BR 112 120 410	nylon bushing with collar (12/15/25x4/2)	2
20	MPA 01 051 425	control valve	1
21	BR 111 120 100	nylon bushing (12.2x24x1.3)	1
22	BS 534 001 000	lock washer m10 din 6798a	1
23	BN 630 210 000	lob knob 188-40 m10	1
24	BS 554 100 820	bolt m8x20 din 603	3
25	MPA 01 051 415	elbow turbine	1
26	BS 554 101 040	bolt m10x40 din603	1
27	MPA 01 051 410	turbine	1
28	BN 530 108 800	clamp levers	1
29	MPA 01 051 455	protection	1
30	BN 630 808 400	lob knob 188-40 m8	1
31	BS 533 000 800	lock washer m8 din 127b	1
32	BB 040 102 040	hairpin cotter 2mm din 11024	1
33	BS 512 000 610	bolt m6x10 din 933	3
34	BV 905 030 010	compression spring h.60 dia. di 25 dr.4 galvanised	2
35	MPA 01 051 185	brake cable holder	1
36	BR 112 253 000	nylon bushing with collar (25/30/37x30/2.5)	4
37	BR 900 000 110	rubber socks dia 90x18mm	1
38	MPA 01 051 535	engine pedal	1
39	BS 556 001 000	fork m10x20 din 71752	1
40	MPA 01 051 170	engine shaft	1
41	MPA 01 051 460	engineplate	1
42	BY 100 106 100	grease fitting m6 din 71412	4
43	MPA 01 051 465	guide-axe	2
44	BB 221 105 160	pop plug alu 4.8x16 din 7337 a	1
45	MPA 01 052 020	lever	1
46	BS 554 100 825	bolt m8x25 din 603	1
47	BV 905 000 020	spring	1
48	BK 153 180 910	brake cable	1
49	MPA 01 051 420	closing plate	1
50	BS 502 000 400	self locking nut m4 din 985	2
51	BE 120 030 020	safety switch	1
52	BS 531 000 400	washer m4 din 125	4

53	BS 512 000 420	bolt m4x20 din 933	2
54	BS 512 000 620	bolt m6x20 din 933	1
55	BS 531 000 600	washer m6 din 125	7
56	BS 502 000 600	self locking nut m6 din 985	2
57	BV 912 000 020	spring idler return	1
58	MPA 01 051 165	brake support	1
59	BR 112 202 100	nylon bushing with collar (20/24/29x21/1)	2
60	BS 511 000 644	bolt m6x60 din 931	1
61	BU 401 200 303	set of knives (24)	1
62	BS 011 000 822	bolt m8x22 din 931	1



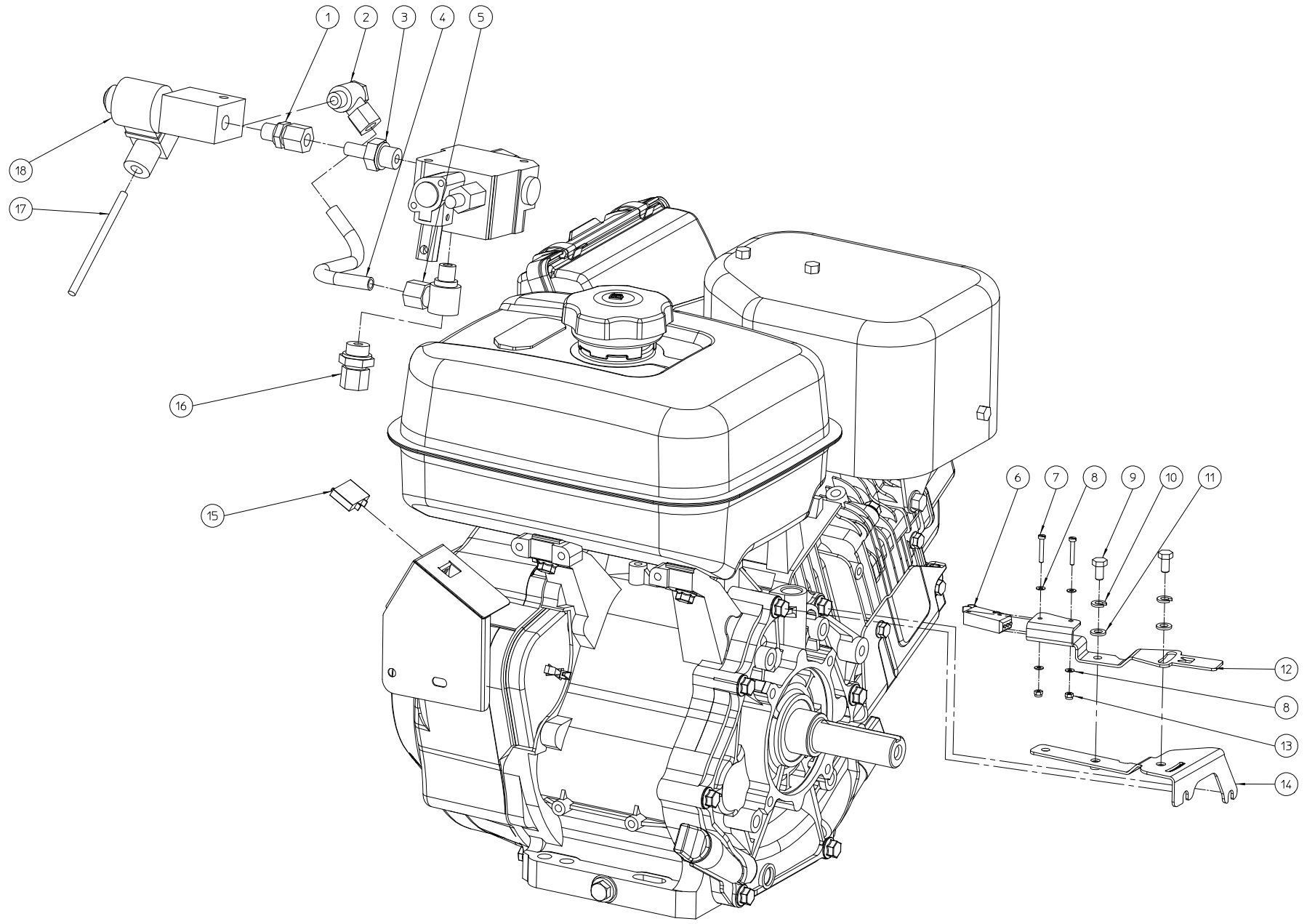
#	Order nr	article description	quantity
1	BB 011 000 090	starlock 9mm	2
2	BQ 505 010 070	safety sticker 100x80 (hand cuts)	1
3	MPA 01 051 115	spacer right	1
4	MPA 01 051 110	spacer left	1
5	MPA 01 051 060	protection net	1
6	BS 501 000 600	nut m6 din 934	2
7	BR 600 425 170	antivibration blocks 25x17b m6x18	2
8	BS 554 100 616	bolt m6x16 din 603	4
9	MPA 01 051 105	axe protection net	1
10	BR 900 001 660	rubber	1
11	MPA 01 050 100	retainer for rubber flap (inside)	1
12	BS 531 000 600	washer m6 din 125	8
13	BS 502 000 600	self locking nut m6 din 985	6
14	MPA 01 051 055	handle-bar	1
15	BU 401 200 303	set of knives (24)	1
16	MPA 01 050 500	rotor	1
17	BS 502 001 000	self locking nut m10 din 985	6
18	BS 531 001 000	washer m10 din 125	9
19	BS 011 000 822	bolt m8x22 din 931	1
20	BS 502 000 800	self locking nut m8 din 985	1
21	BL 801 503 502	kit bearing aspf 207 complete	2
22	MPA 01 051 095	closing plate	1
23	BS 512 001 025	bolt m10x25 din 933	3
24	BW 045 025 010	wheel 5.00-8	2
25	MPA 01 051 120	engineplate	1
26	BS 512 000 620	bolt m6x20 din 933	2
27	BS 554 100 620	bolt m6x20 din 603	2
28	BS 501 000 500	nut m5 din 934	2
29	MPA 01 010 200	cover for safety switch	1
30	MPA 01 010 220	bracket for safety switch	2
31	BS 522 500 316	screw m3x16 iso 7380	2
32	BS 502 000 300	self locking nut m3 din 985	2
33	BE 120 010 503	safety switch	1
34	BT 654 001 901	clam 19mm	2
35	BS 533 000 600	lock washer m6 din 127b	2
36	MPA 01 050 140	protection guard crankshaft	1
37	BS 554 101 025	bolt m8x60 din603	3
38	MPA 01 051 070	sieve 25x25	1
39	BR 900 001 040	rubber anti projection flap	1
40	MPA 01 050 110	retainer for rubber flap (rear)	1
41	BB 221 105 160	pop plug alu 4.8x16 din 7337 a	4



ELIET PROF V -- REGULATEUR DE DEBIT					
NO	MMA 01 051 170	REV	1	DATE	2014/01/24

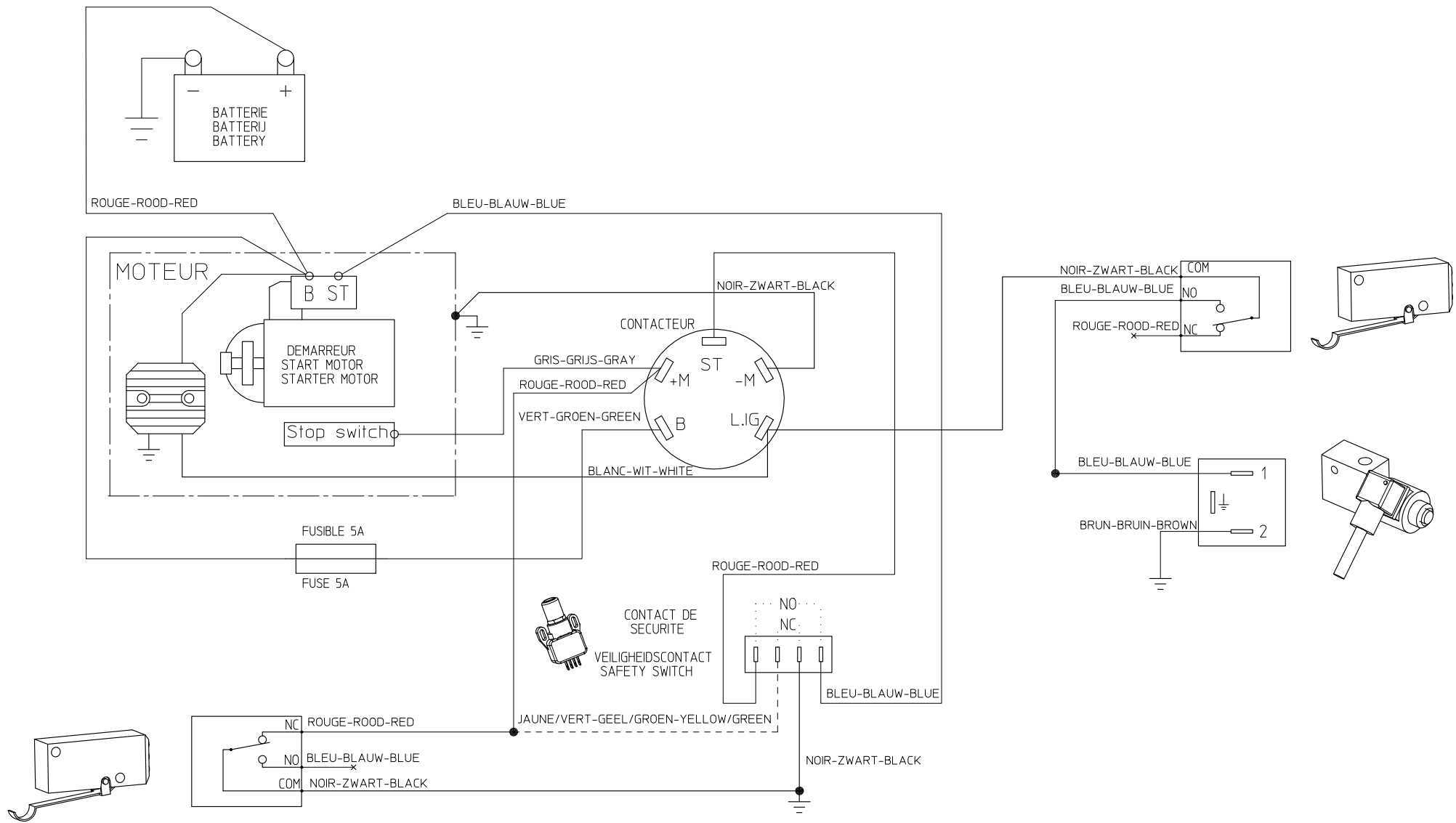


#	Order nr	article description	quantity
1	BH 512 111 000	rotary l-fitting female 10l	1
2	BH 511 911 000	angular rotary fitting 10l	1
3	BH 509 221 022	male stud coupling 10lxm22	3
4	BS 554 100 616	bolt m6x16 din 603	2
5	BS 531 000 600	washer m6 din 125	4
6	BS 502 000 600	self locking nut m6 din 985	4
7	BS 554 100 640	bolt m6x40 din 603	2
8	MPA 01 051 550	support regulator	1
9	BH 430 012 200	speed controller mtkavar	1
10	BH 551 040 300	flexible hydraulic hose 1/4"x300	3



ELIET PROF V-- ABM HYDRO					
NO	MMA 01 051 190	REV	2	DATE	2014/01/24

#	Order nr	article description	quantity
1	BH 509 211 004	male stud coupling 10lx1/4"	1
2	BH 513 111 004	banjo 10lx1/4"	1
3	BH 512 631 006	standpipe adaptor 10sx3/8"	1
4	MPA 01 051 370	pipe ev zr	1
5	BH 513 011 004	banjo with inner hexagon 10lx1/4"	1
6	BE 120 010 500	safety switch	0
7	BS 541 000 320	screw m3x20 din 84	2
8	BS 531 000 300	washer m3 din 125	4
9	BS 512 000 612	bolt m6x12 din 933	2
10	BS 533 000 600	lock washer m6 din 127b	2
11	BS 531 000 600	washer m6 din 125	2
12	MPA 01 051 355	contact support abm subaru	1
13	BS 502 000 300	self locking nut m3 din 985	2
14	MPA 01 051 375	support abm	1
15	BE 160 015 000	supressor module	1
16	BH 509 221 017	male stud coupling 10lxm18x1	1
17	BE 092 021 701	liyy wire 1mm <sup>2</sup> - 1700mm	1
18	BH 410 001 000	solenoid valve 2/2 nc 1/4"	1



**Schema impianto elettrico Prof 5 Subaru**

Cart. explode A3 horizontal Eliet				
NO	A3HE	REV	DATE	2007/07/12